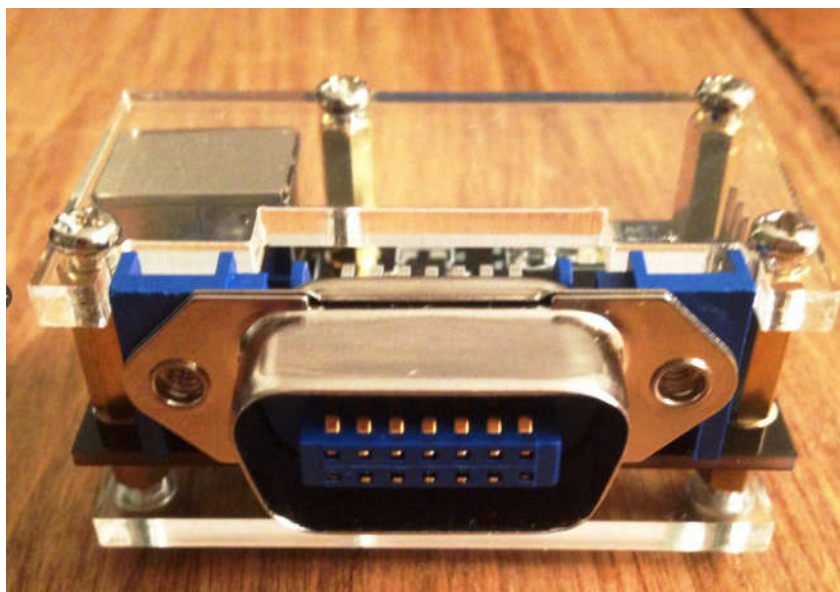


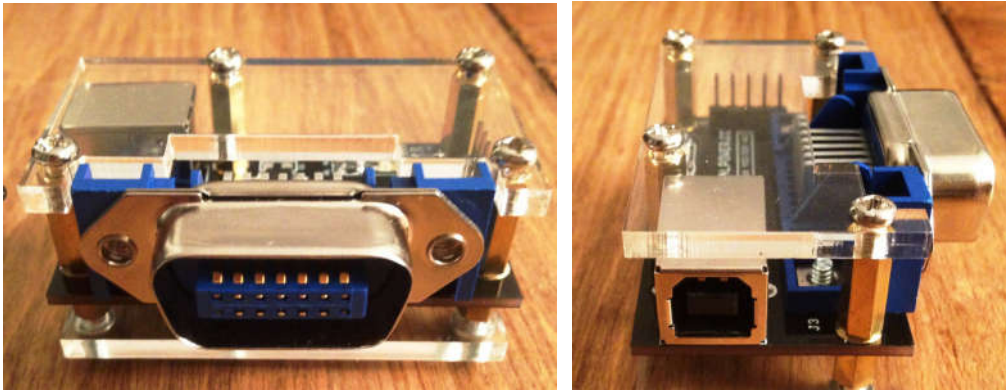
Valpower.cc
product: DCB USB Midi module



-technical specifications

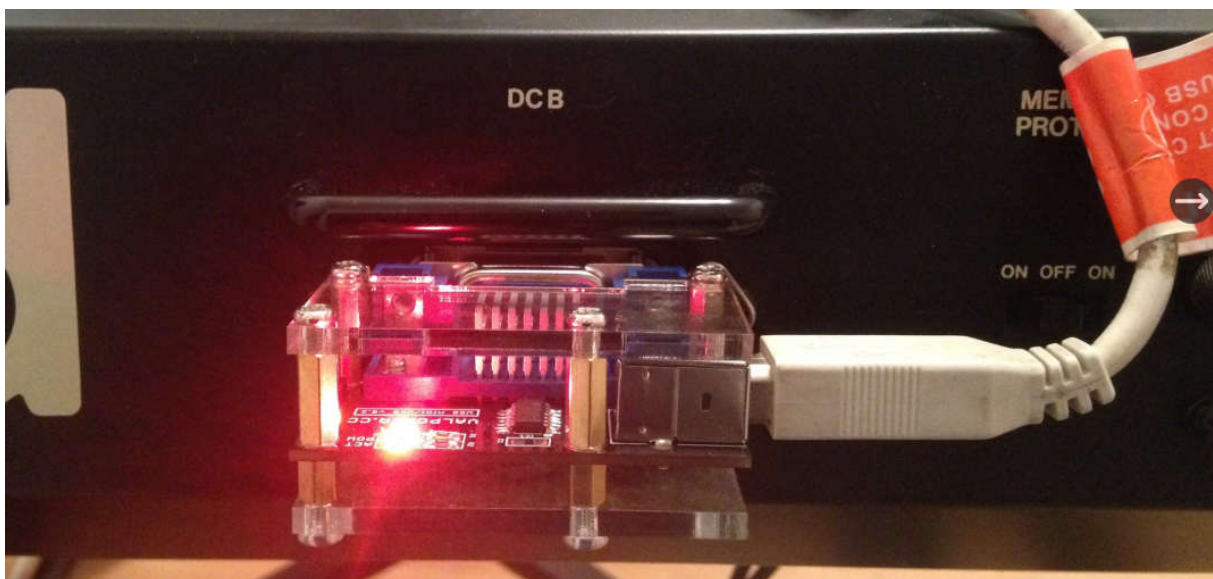
- dc input : no power supply necessary , powered by USB
- midi in: USB
- Midi output: None
- midi commands : note on , note off
- midi channel : channel 1 .

-mounting plexy parts instructions : mount the plexy part as shown on the pictures :)

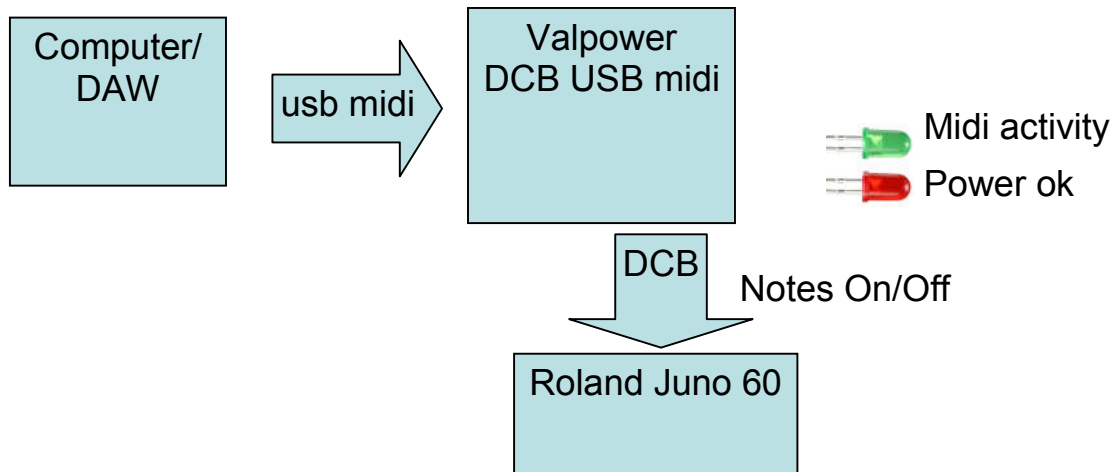


-connecting instructions

1. turn off Juno 60
2. mount the unit on the dcb port without any cables.
3. add the usb cable (computer off recomended)
4. red led should be on
5. turn on Juno 60
6. send some midi notes with your computer using a DAW.
7. green led should blink , and notes will be triggered on Juno.



General diagram



Frequently asked questions

- can i control the cutoff or other parameters of juno 60 ?
no , only note on off , are available via DCB protocol
- Does it work as midi output ?
No midi output is not supported.
Juno keyboard its pretty basic note on/off only , you will be better off with any modern midi controller as master keyboard.
- can i control the Juno Arp with this module?
No , but you can use Valpower arp sync.
- Can i change de channel ?
No , its not possible.