

Valpower.cc

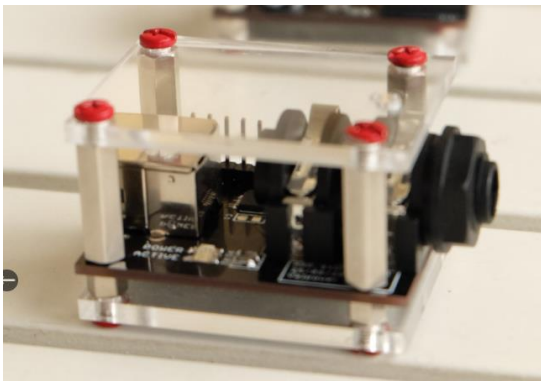
product: USB ARPSYNC module



## technical specifications

- dc input : No power supply needed.
- midi in: usb
- Midi output: None
- midi commands : note on , note off
- midi channel : channel 1.
- output :5v 3 ms pulses

-mounting plexy parts instructions : mount the plexy part as shown on the pictures :)  
(to be improved)

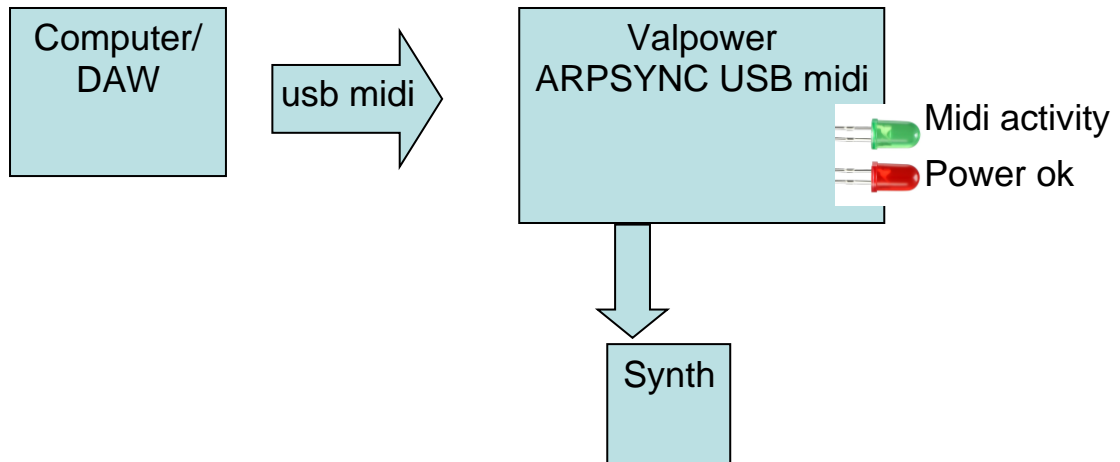


## connecting instructions

1. turn off your synth
2. connect the ARPSYNC out of the module to your your synth EXT CLK/ ARP input
3. use 1 mono 6.3mm- ¼ inch jack cable
4. connect the usb connector to the device and the computer
5. red led should be on
6. turn on your synth
7. send some midi notes with your computer using a DAW.
8. green led should blink , and notes will be triggered on your synth

Note : this module is designed for Juno 60 , but it will work on SH-101 and other similar synths.

## General diagram



## Frequently asked questions

- Does it work as midi output or clock input?  
No midi output is not supported.  
cv input is not supported
- Can i change de channel ?  
No , its not possible.